



COMMERCIAL METAL PLANTERS

A DIVISION OF CODE ELECTRIC PRODUCTS LTD.

PRODUCT SPECIFICATION SHEET

04/04/23

TAPERS

Material: 0.125" marine grade 5052 aluminum

Finish: Durable, UV rated powder coat

Colour: Sterling Mocha Cloud
Slate Night Carbon
Tuscan Snow

Drainage Holes: Yes
No drainage holes available upon request

Top Lip: Standard 1" lip

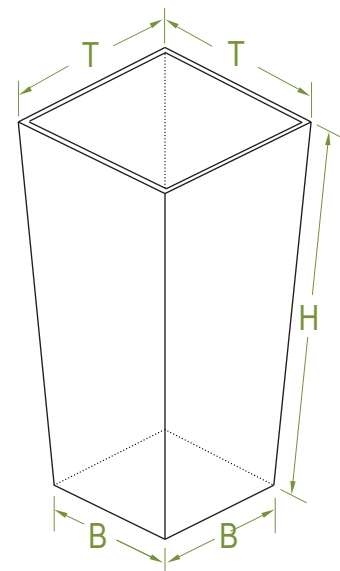


Dimensions (in):

T	B	H
15	12	24
16	12	32
17	12	40

Weights

lbs	kg
18	8
25	11
31	14



Custom sizes available upon request

Project:	
Company Name:	
Contact Name:	
Date:	
Approval Signature:	