



COMMERCIAL METAL PLANTERS

A DIVISION OF CODE ELECTRIC PRODUCTS LTD.

PRODUCT SPECIFICATION SHEET

09/17/21

TROUGHS

- Material:** 0.125" marine grade 5052 aluminum
- Finish:** Durable, UV rated powder coat
- Colour:** Sterling Mocha Cloud
Slate Night Carbon
Tuscan Snow
- Drainage Holes:** Yes
No drainage holes available upon request
- Top Lip:** Standard 1" lip
** 1 1/2 lip with 1" return
+ stiffeners

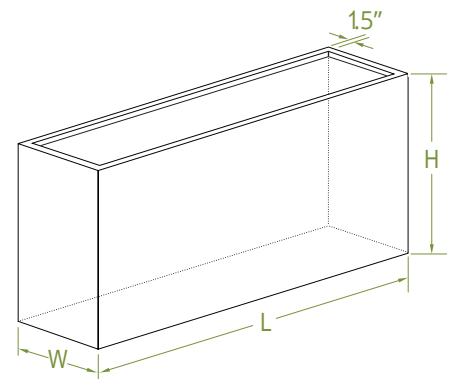
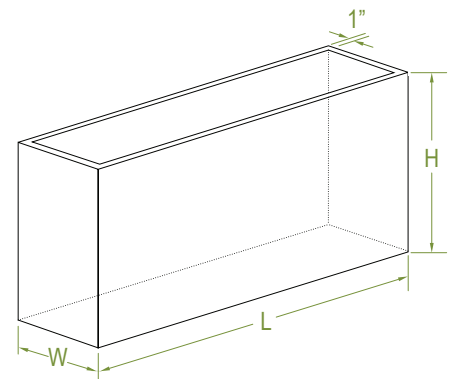


Dimensions (in):

L	W	H
32	10	16
36	10	16
40	10	16
46	10	16
32	10	24
36	10	24
40	10	24
46	10	24
40	20	24
46	20	24**
60	20	24**
72	20	24**+

Weights

lbs	kg
21	10
23	10
25	11
28	13
29	13
32	15
35	16
39	18
46	21
51	23
63	29
73	33



*Can also be fabricated without a lip

Custom sizes available upon request

Project:	
Company Name:	
Contact Name:	
Date:	
Approval Signature:	