



COMMERCIAL METAL PLANTERS

A DIVISION OF CODE ELECTRIC PRODUCTS LTD.

PRODUCT SPECIFICATION SHEET

04/13/21

TROUGHS

Material: 0.125" marine grade 5052 aluminum

Finish: Durable, UV rated powder coat

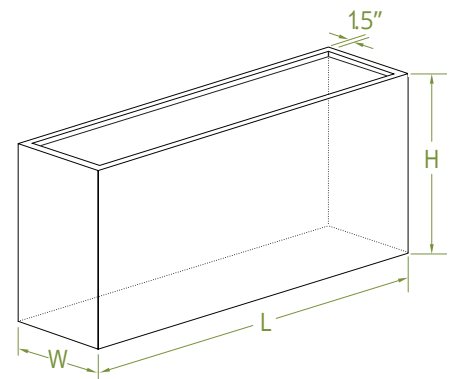
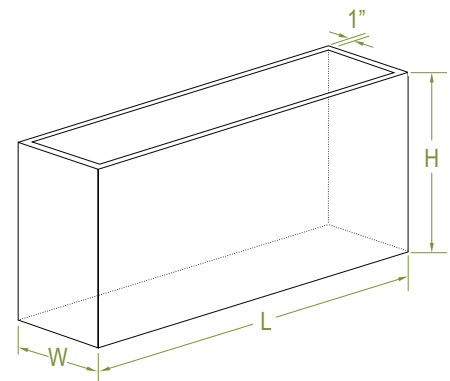
Colour: Sterling Mocha Cloud
Slate Night Carbon
Tuscan Snow

Drainage Holes: Yes
No drainage holes available upon request

Top Lip: Standard 1" lip
** 1 1/2 lip with 1" return
+ stiffeners



Dimensions (in):			Weights	
L	W	H	lbs	kg
32	10	16	24	11
36	10	16	24	11
40	10	16	24	11
46	10	16	24	11
32	10	24	32	15
36	10	24	32	15
40	10	24	32	15
46	10	24	32	15
40	20	24	32	15
46	20	24**	32	15
60	20	24**	32	15
72	20	24**+	32	15



*Can also be fabricated without a lip
Custom sizes available upon request

Project:	
Company Name:	
Contact Name:	
Date:	
Approval Signature:	