



COMMERCIAL METAL PLANTERS

A DIVISION OF CODE ELECTRIC PRODUCTS LTD.

PRODUCT SPECIFICATION SHEET

04/13/21

PARTITIONS

- Material:** 0.125" marine grade 5052 aluminum
- Finish:** Durable, UV rated powder coat
- Colour:** Sterling Mocha Cloud
Slate Night Carbon
Tuscan Snow
- Drainage Holes:** Yes
No drainage holes available upon request
- Top Lip:** Standard 1" lip
** 1 1/2 lip with 1" return
+ stiffeners

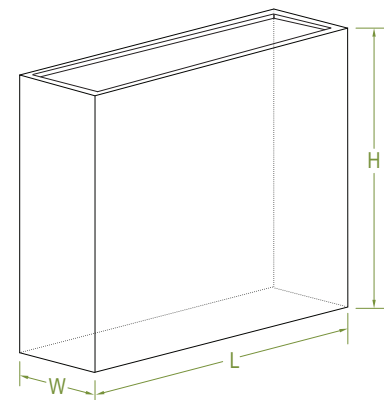
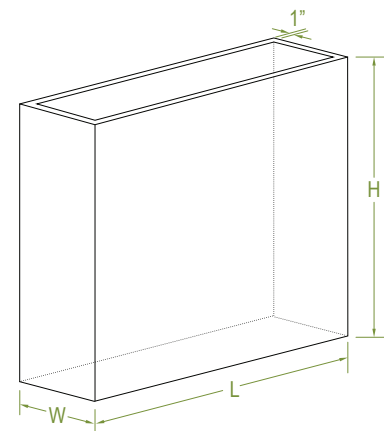


Dimensions (in):

L	W	H
32	12	32
36	12	32
40	12	32
46	12	32
60	12	32**+
72	12	32**+
32	16	42**+
36	16	42**+
40	16	42**+
46	16	42**+
60	16	42**+
72	16	42**+

Weights

lbs	kg
39	18
39	18
39	18
39	18
46	21
46	21
58	26
58	26
58	26
58	26
58	26
58	26



Custom sizes available upon request

Project:	
Company Name:	
Contact Name:	
Date:	
Approval Signature:	