



COMMERCIAL METAL PLANTERS

A DIVISION OF CODE ELECTRIC PRODUCTS LTD.

PRODUCT SPECIFICATION SHEET

04/13/21

CUBES

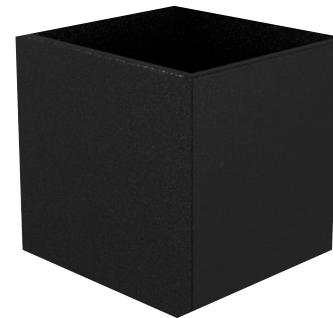
Material: 0.125" marine grade 5052 aluminum

Finish: Durable, UV rated powder coat

Colour:	Sterling	Mocha	Cloud
	Slate	Night	Carbon
	Tuscan	Snow	

Drainage Holes: Yes
No drainage holes available upon request

Top Lip: Standard 1" lip

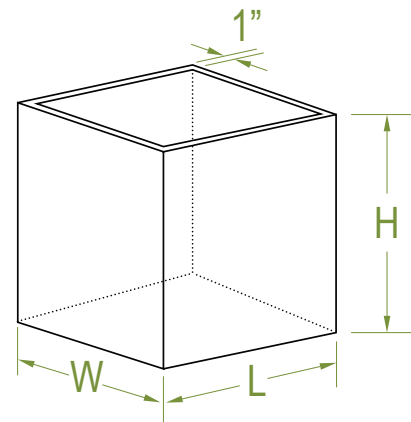


Dimensions (in):

L	W	H
16	16	16
20	20	20
24	24	24
28	28	28
36	36	36

Weights

lbs	kg
24	11
28	13
32	15
35	16
44	20



*Can also be fabricated without a lip
Custom sizes available upon request

Project:	
Company Name:	
Contact Name:	
Date:	
Approval Signature:	