



# COMMERCIAL METAL PLANTERS

A DIVISION OF CODE ELECTRIC PRODUCTS LTD.

PRODUCT SPECIFICATION SHEET

21/01/19

## TROUGHS

**Material:** 0.125" marine grade 5052 aluminum

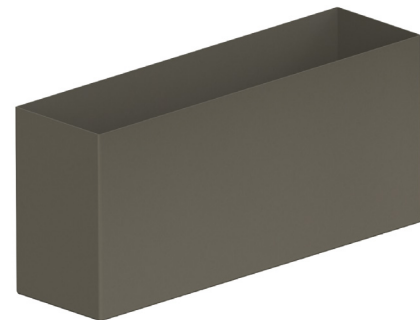
**Finish:** Durable, UV rated powder coat

**Colour:**

Sterling	Mocha
Slate	Night
Tuscan	Snow

**Drainage Holes:** Yes

**Top Lip:** \* indicates 1" lip

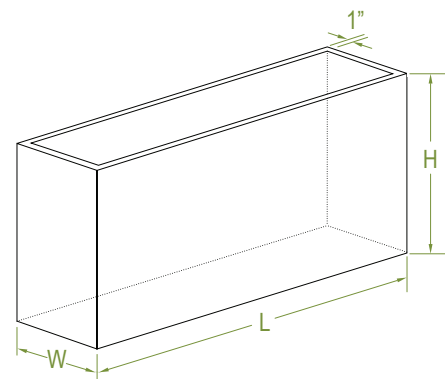
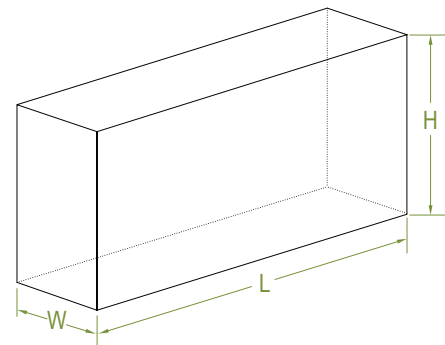


### Dimensions (in):

L	W	H
32	10	16
36	10	16
40	10	16
46	10	16
32	10	24
36	10	24
40	10	24
46	10	24
40	20	24
46	20	24*
60	20	24*
72	20	24*

### Weights

lbs
21
23
25
28
23
30
34
46
44
48
62
72



<b>Project:</b>	
<b>Company Name:</b>	
<b>Contact Name:</b>	
<b>Date:</b>	
<b>Approval Signature:</b>	