



COMMERCIAL METAL PLANTERS

A DIVISION OF CODE ELECTRIC PRODUCTS LTD.

PRODUCT SPECIFICATION SHEET

21/01/19

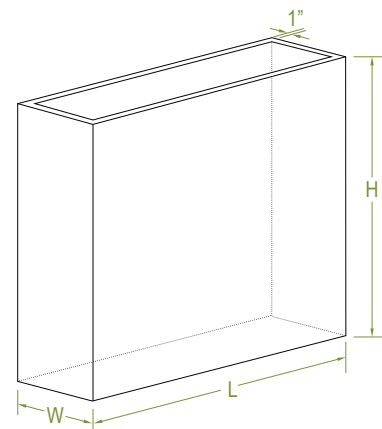
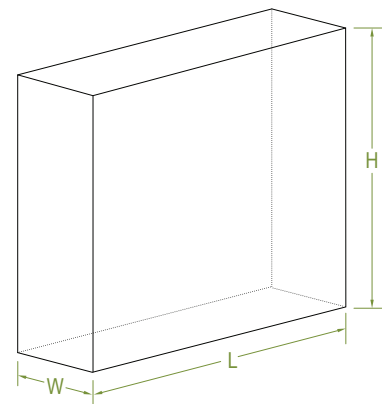
PARTITIONS

- Material:** 0.125" marine grade 5052 aluminum
- Finish:** Durable, UV rated powder coat
- Colour:** Sterling Mocha
Slate Night
Tuscan Snow
- Drainage Holes:** Yes
- Top Lip:** * indicates 1" lip



Dimensions (in):

L	W	H	Weights lbs
32	12	32	36
36	12	32	42
40	12	32	47
46	12	32	53
60	12	32*	66
72	12	32*	80
32	16	42*	56
36	16	42*	61
40	16	42*	66
46	16	42*	73
60	16	42*	91
72	16	42*	105



Project:	
Company Name:	
Contact Name:	
Date:	
Approval Signature:	